



PARTS CATALOG

2013

Table of Contents

AIR CENTER

Complete EP-1 “AIR CENTER” (post Dec. 2012)	2-3
Emergency 1 st Stage Assembly	4-5
Complete “Air Delivery System” (prior to Dec. 2012)	6-7
Tank Assembly	8-9
Compressor Pump Assembly	10-11
Emergency Manifold	12-13
Filter Assembly	14-15
Microprocessor Control Box	16-17

HELMET

Helmet Assembly	18-19
-----------------------	-------

REMOTE CONSOLE

Remote Console Assembly	20-21
-------------------------------	-------

HOSE REEL

Hose Reel Assembly	22-23
--------------------------	-------

FLOATING MANIFOLD

15-Helmet Floating Manifold Assembly	24-25
--	-------

POD

POD System Assembly	26-27
---------------------------	-------

BACKPACK

Backpack Unit Assembly	28-29
------------------------------	-------

MARKETING

Marketing Materials	30-33
---------------------------	-------

RETAIL STORE

Activewear	34-35
Order Form	36-40

** To place an order:

Please fill out the order form on pages 34-35 and send to **Sub Sea Systems®**

Fax: (530) 626-0113 E-mail: radar@subseasystems.com

To place an order over the phone, please call: (530) 626-0100

SeaTREK® Helmets



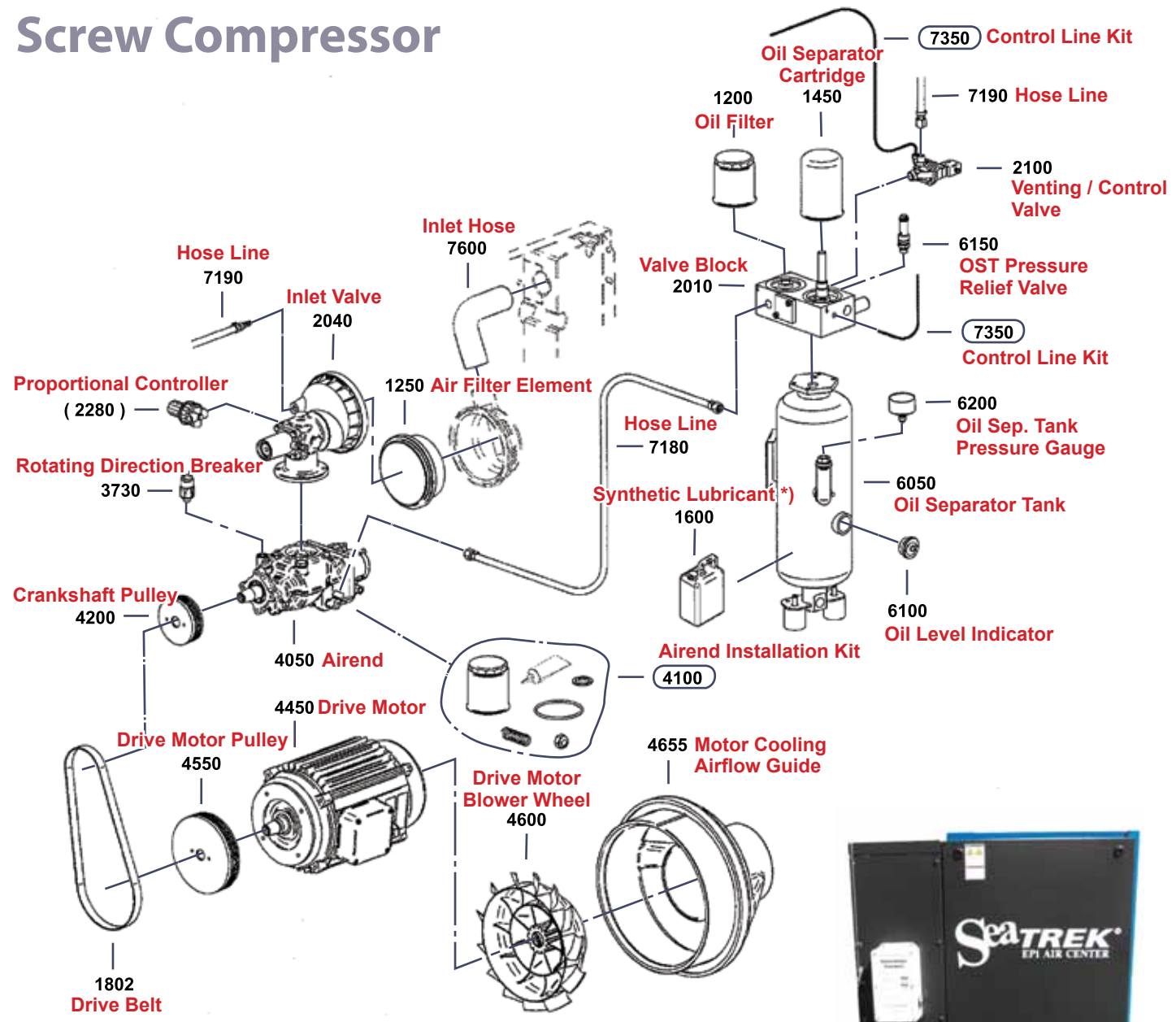
SeaTREK®
Helmets:

Costa Maya
Dive Site

THANK YOU!

Complete EP-1 "AIR CENTER"

Screw Compressor

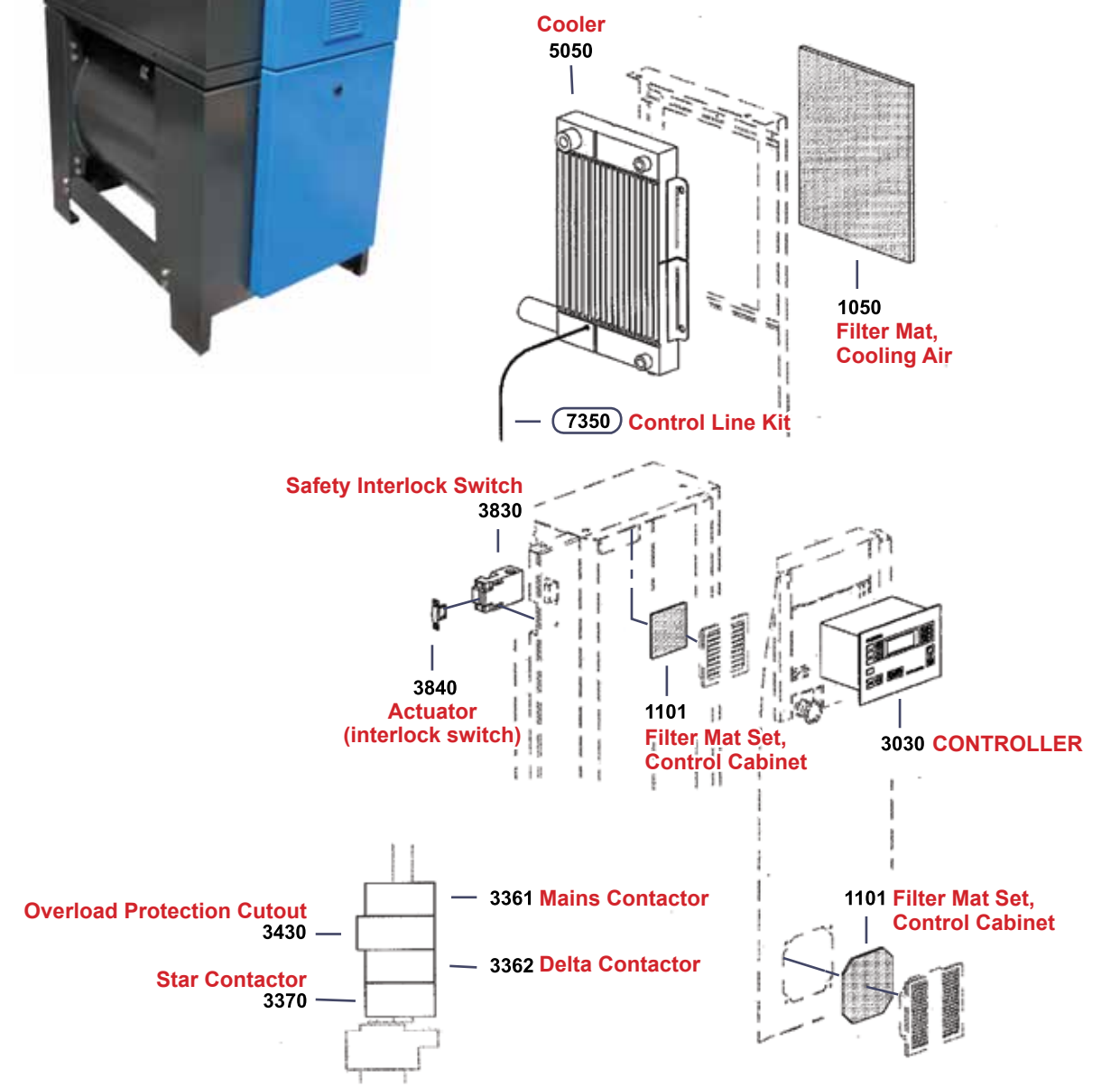


*) Contact Sub Sea Systems® for cooling fluid recommendations



11-000-EP1 (post Dec. 2011)

Refrigerator Dryer



EAS System Components: Emergency 1st Stage

Assembly 10-600

10-607 (24")
10-608 (36")
LP Hose

10-606
Gauge Boot

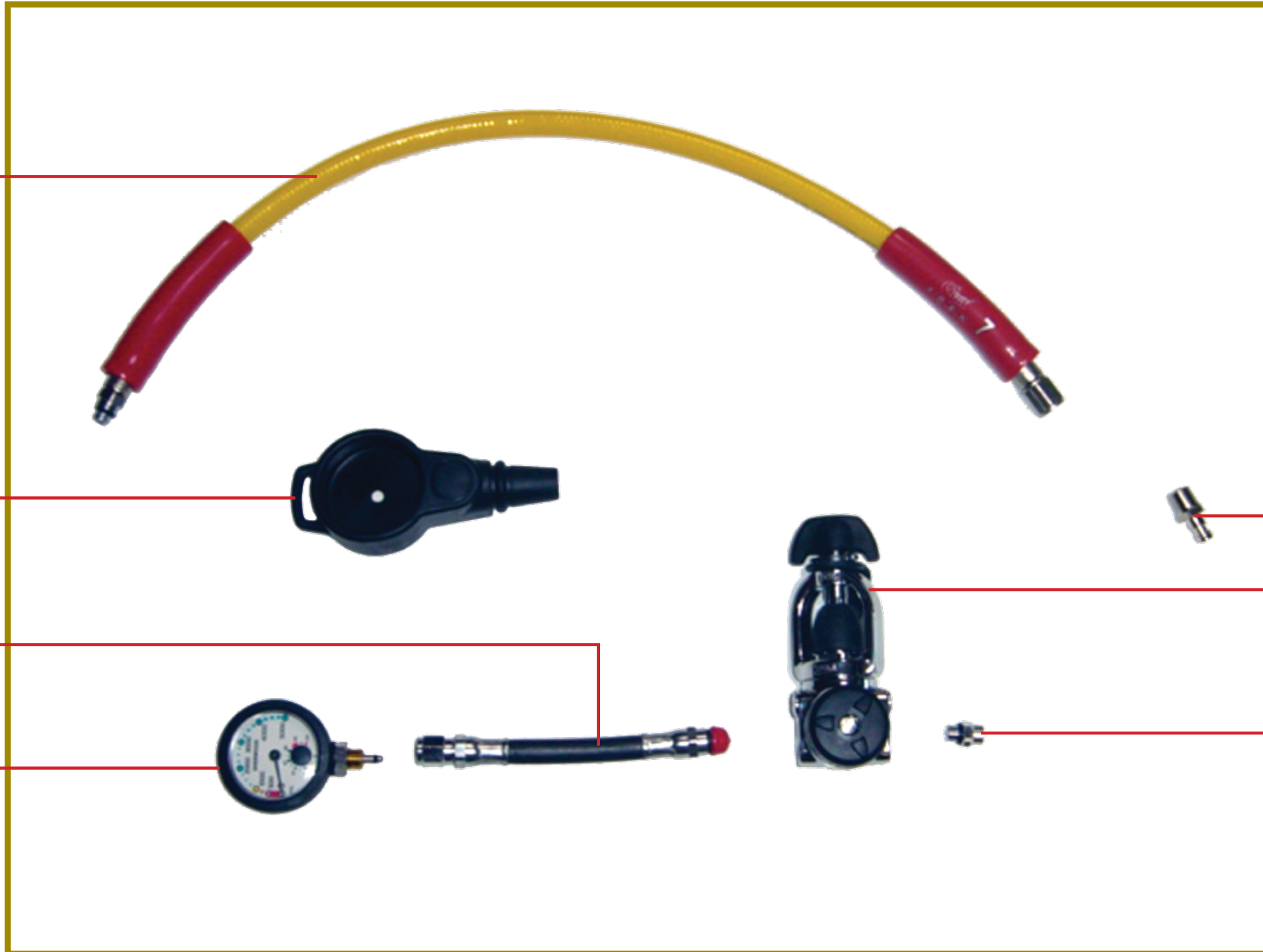
10-603
6" High Pressure Hose

10-605
5000 Pressure Gauge

10-609
Rectus 1/4" male

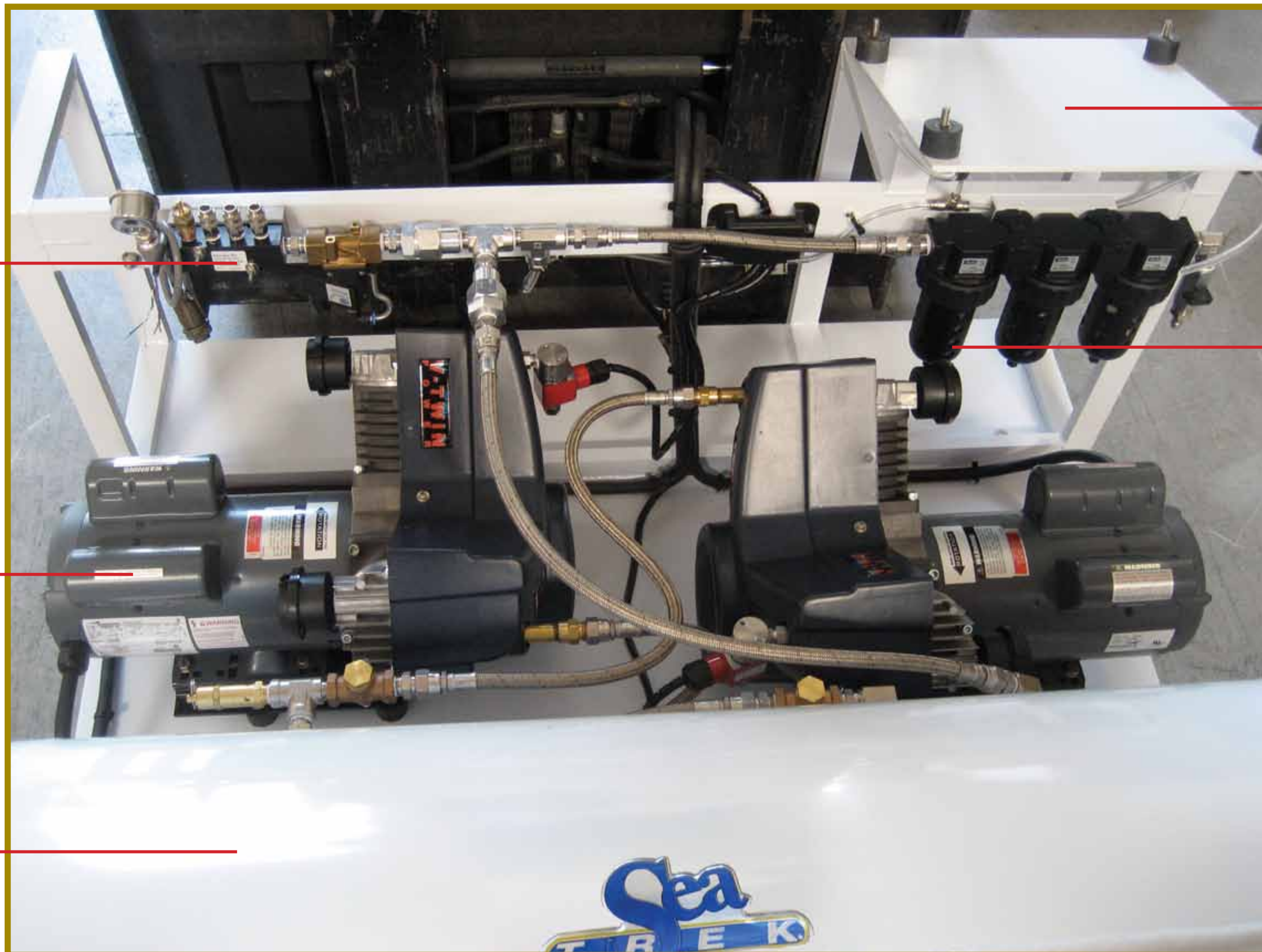
10-601
1st Stage (SPECIAL)

10-602
Pressure Relief Valve



Complete "Air Delivery System"

10-000 (prior to Dec. 2011)



10-300
Emergency Manifold

10-501
Control Panel (Control
Panel Mounts Here)

10-200
Compressor Pump
Assembly

10-400
Filter Assembly

10-100
Tank Assembly

Tank Assembly 10-100

16003
7" SeaTREK® Domecal

10-112
ss Braided Air Line
26" with Fittings

15-006
3/8" Hex Nipple 316ss

15-010
3/8" NPT x #8 JIC 316ss fitting

10-305
3/8" Nickel Brass—ST Elbow

10-109
3/8" Check Valve

10-108
1/4" Brass Tank Drain Valve

10-105 (4 each)
1/2"-13" Nylock Nuts 316 ss

10-102 (8 each)
1/2" Washers 316ss

10-104 (4 each)
Isolator Pads

10-103 (8 each)
1/2" Rubber Isolator

10-111
120lb. Pressure Relief Valve

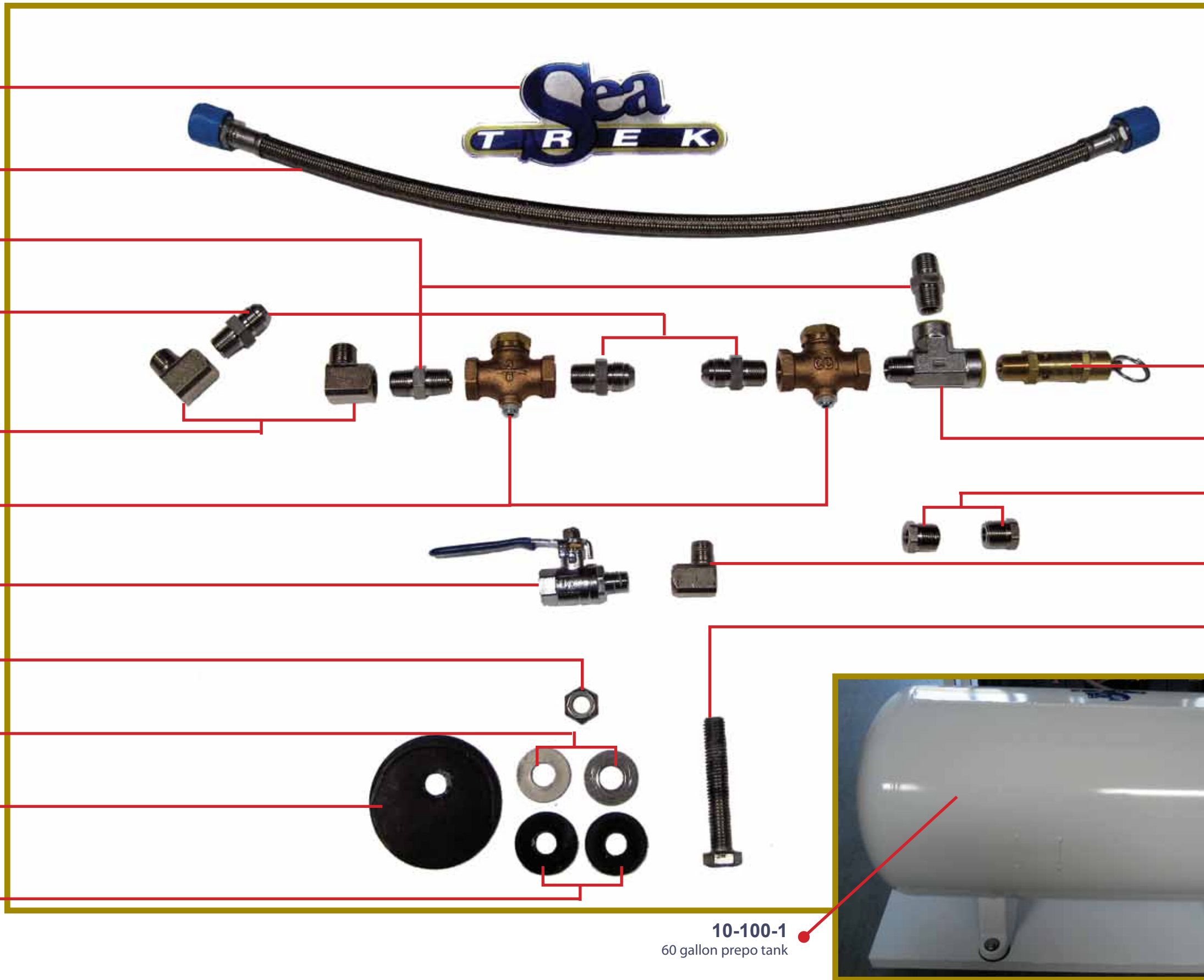
15-016
3/8" MFF TEE 316ss

10-110
1/2" NPT Plug 3 lb. ss

10-107
1/4" Nickel Brass ST Elbow

10-101 (4 each)
1/2"—13x3xHHCS 316ss

10-100-1
60 gallon prepo tank



Compressor Pump

Assembly 10-200

10-202
Rubber Shock Mounts

10-506
3-8 Spiral Wrap (ft)

10-205
Watts Allenaire Solenoid

15-005
1/4" x 2" Hex Nipple

10-203
5/16"-18
Nylock Nuts 316ss

10-204
5/16" Flat Washers 316ss

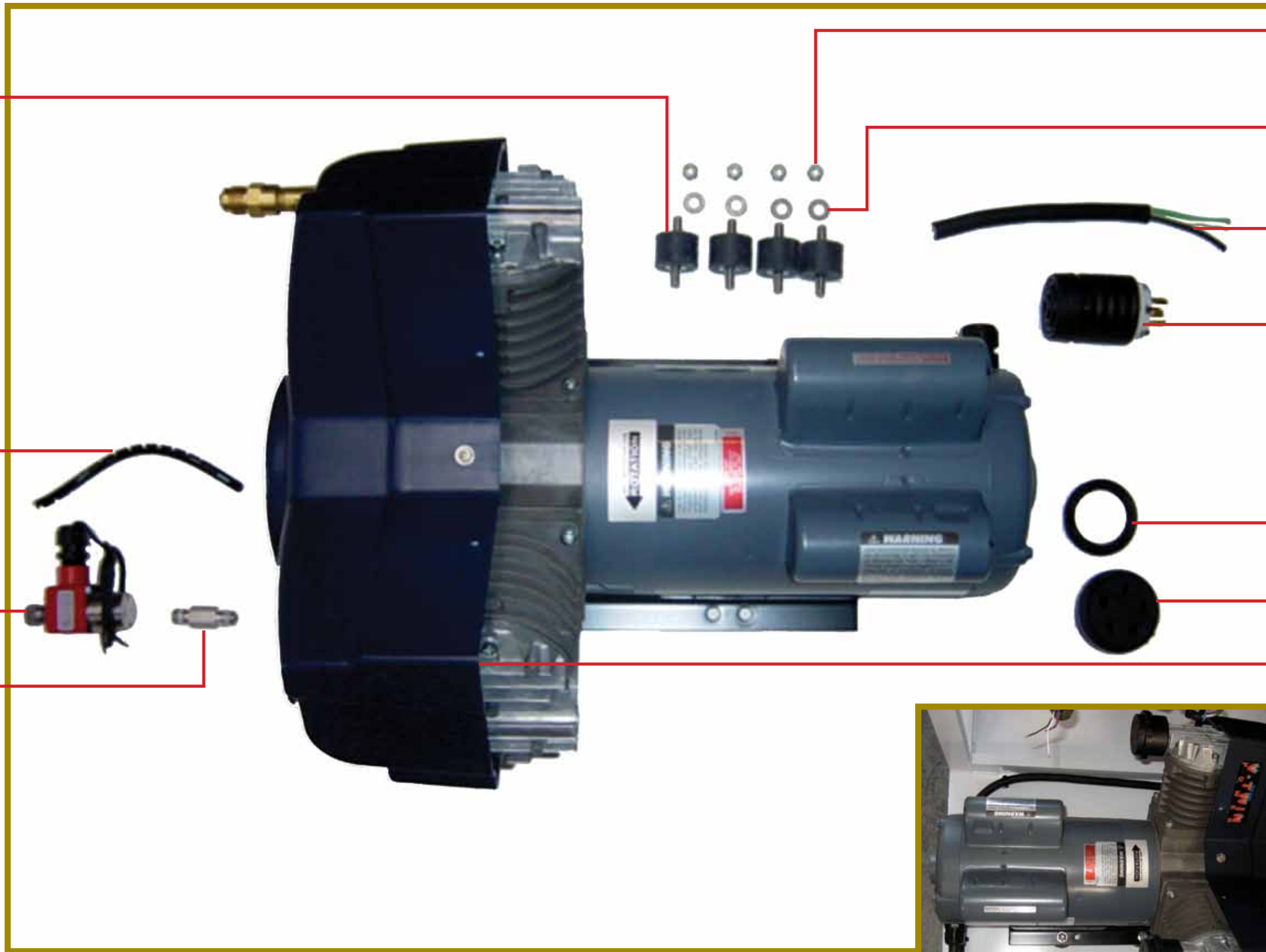
10-503
12-3 Sow Electric Cord (ft)

10-502b
L620L Male Twistlock Plug

10-201af
Intake Air Filter

10-201fh
Filter Housing

10-201
SeaTREK® Vortex Compressor



Emergency Manifold

Assembly 10-300

10-301
Machine 6 Port Manifold

10-304
Rectus Female

10-302
1.5" Pressure Gauge 1/4" NPT

10-306
1/4" Brass Pressure Relief Valve

15-017
3/8" x 1/8" Hex Bushing 316ss

10-305
3/8" NPTMF Elbow 316ss

10-301b
Spacer Block

15-006
3/8" Hex Nipple

10-307b
Fabco-Air Solenoid Plug with
16" cable and lugs

10-307
Fabco-Air Emergency
Solenoid

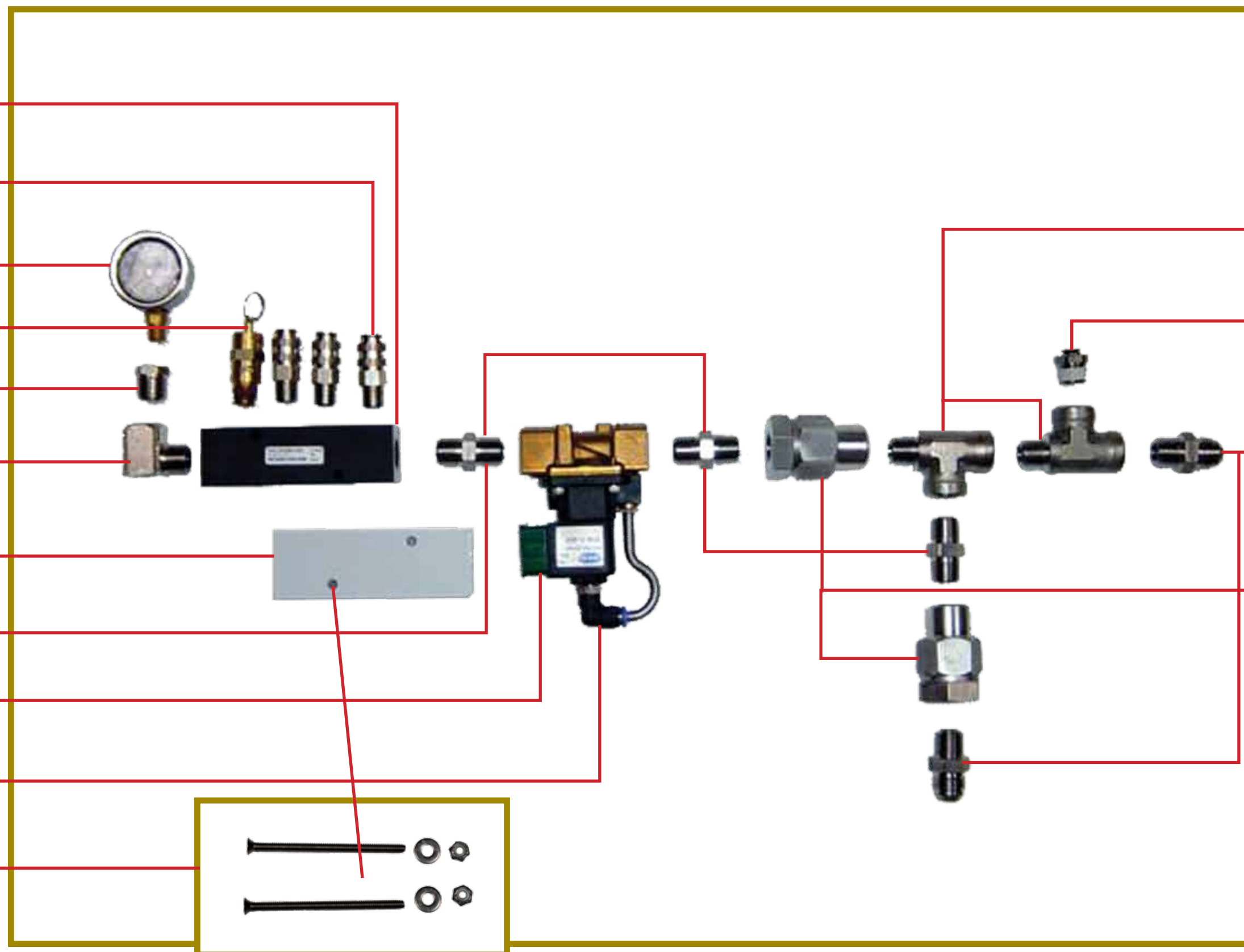
10-301ms
Mounting Hardware

15-016
3/8" MFF NPT Tee 316ss

10-309
3/8" Pipe x 1/4" Quicktube

15-011
3/8" NPT x #8 JIC 316ss

10-308
Watson 3/8" Check Valve



Filter Assembly 10-400

10-400ms
6mm x 45mm HH CS
mounting bolts

10-400-1
Parker Body Connector

15-010
1/2" NPT x #8 JIC

10-401
Parker Standard Filter

10-113
3/8" x 12" ss braided air line

10-401fk
40 mic element

10-404
Parker Autodrain

10-400b
Spacer Block

10-403
Parker Filter/Charcoal

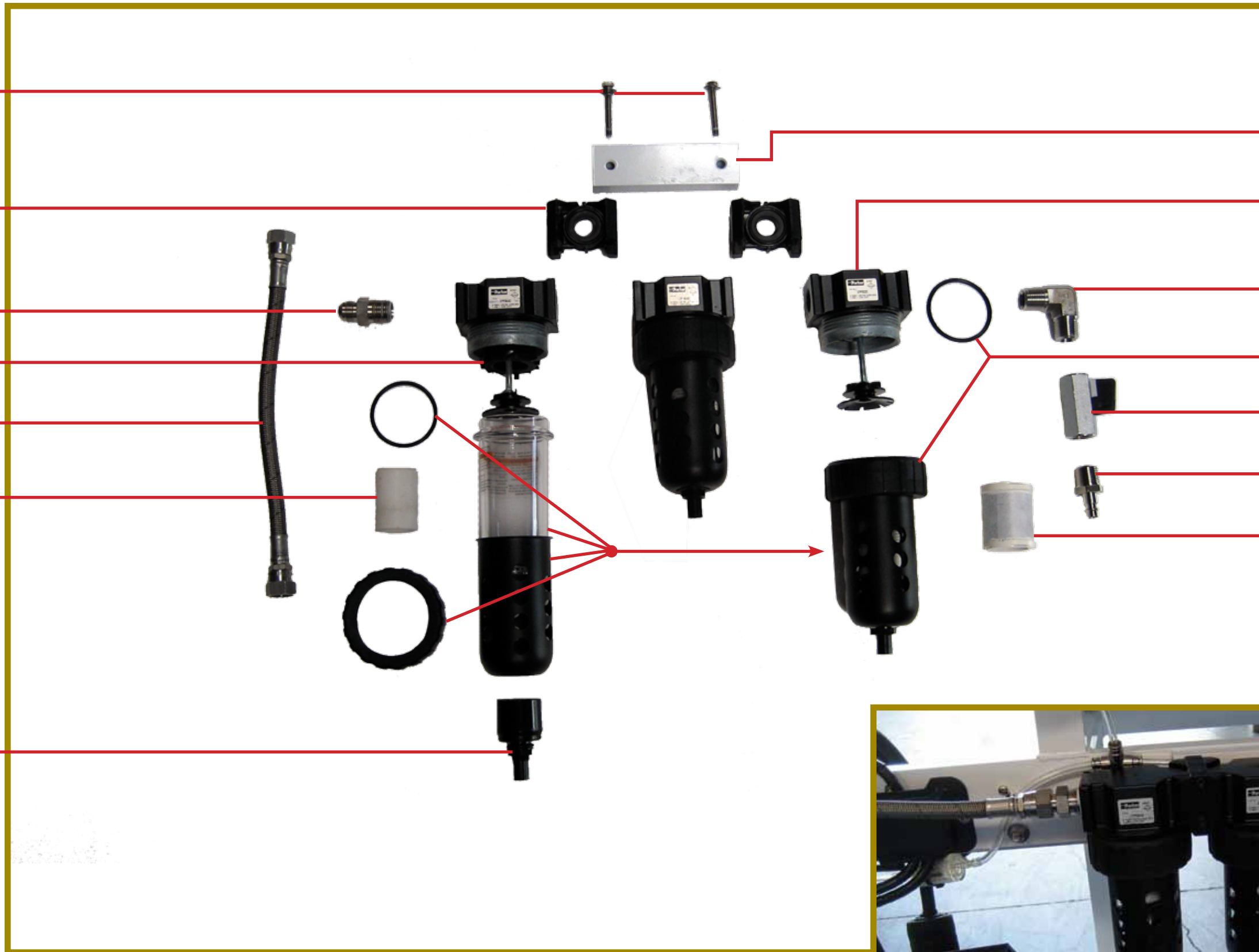
30-011
1/2" NPT x 1/2" NPT ss elbow

10-401bk
Standard Bowl Kit (4 pieces)

10-405
1/2" Ball Valve

15-004
Male QD Plug

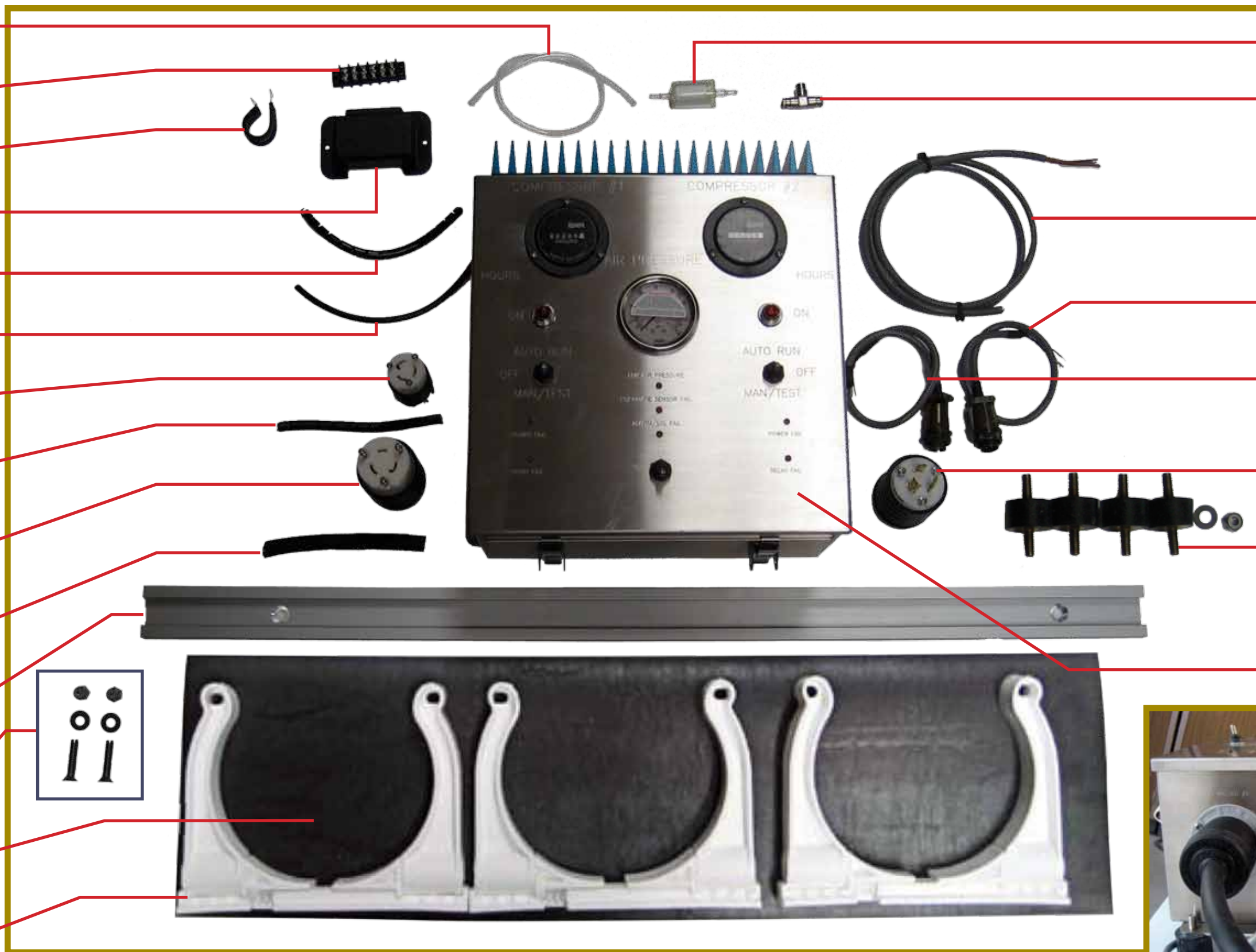
10-403fk
Charcoal Element



Microprocessor Control Box 10-501

- 15-018**
1/4" Quick Tube Clear
- 10-508**
6 Wire Terminal Block
- 10-510**
3/4" Cable Hanger
- 10-509**
Terminal Block Cover
- 10-506**
3/8" Spiral Wrap (ft)
- 10-507**
1/4" Spiral Wrap (ft)
- 10-504a**
LS-15 TWISTLOCK plug—
Female
- 10-505**
14-3 Soow Electric Cord (ft)
Cord Only
- 10-502a**
L6-20c TWISTLOCK plug—
Female
- 10-503**
12-3 Soow Electric Cord (ft)
Cord Only
- 10-511**
48" track
- 10-511ms**
5/16"-18 x 2" FHP 316ss 5/16"
washers 316ss / 5/16"-18 Nylock
- 10-513**
9" x 30" Reinforced Rubber Mat
for Tanks
- 10-512**
Tank Clamps

- 10-310**
1/4" In line Filter
- 10-311**
1/4" Quick Tube T
- 10-514**
20-6 Signal Wire (ft)
- 10-501b**
4 pin plug
- 10-501a**
6 pin plug
- 10-502b**
L620L TWISTLOCK plug
—Male
- 10-202**
Rubber Shock Mounts
- 10-501**
SeaTREK® Control Box



AIR CENTER—prior to Dec. 2011

Helmet Assembly 20-000

20-011
Clear Acrylic Visor

20-024
Helmet Air Input Nozzle

20-025
Exhaust Vent Cover—Interior

16-002
4" SeaTREK® Domecal

20-006b
2" x 14" Velcro Strip (loop)

20-006
1 Set Shoulder Pads (2 per set)
—Adult

20-007
2 x 14" Velcro Strip (hook)

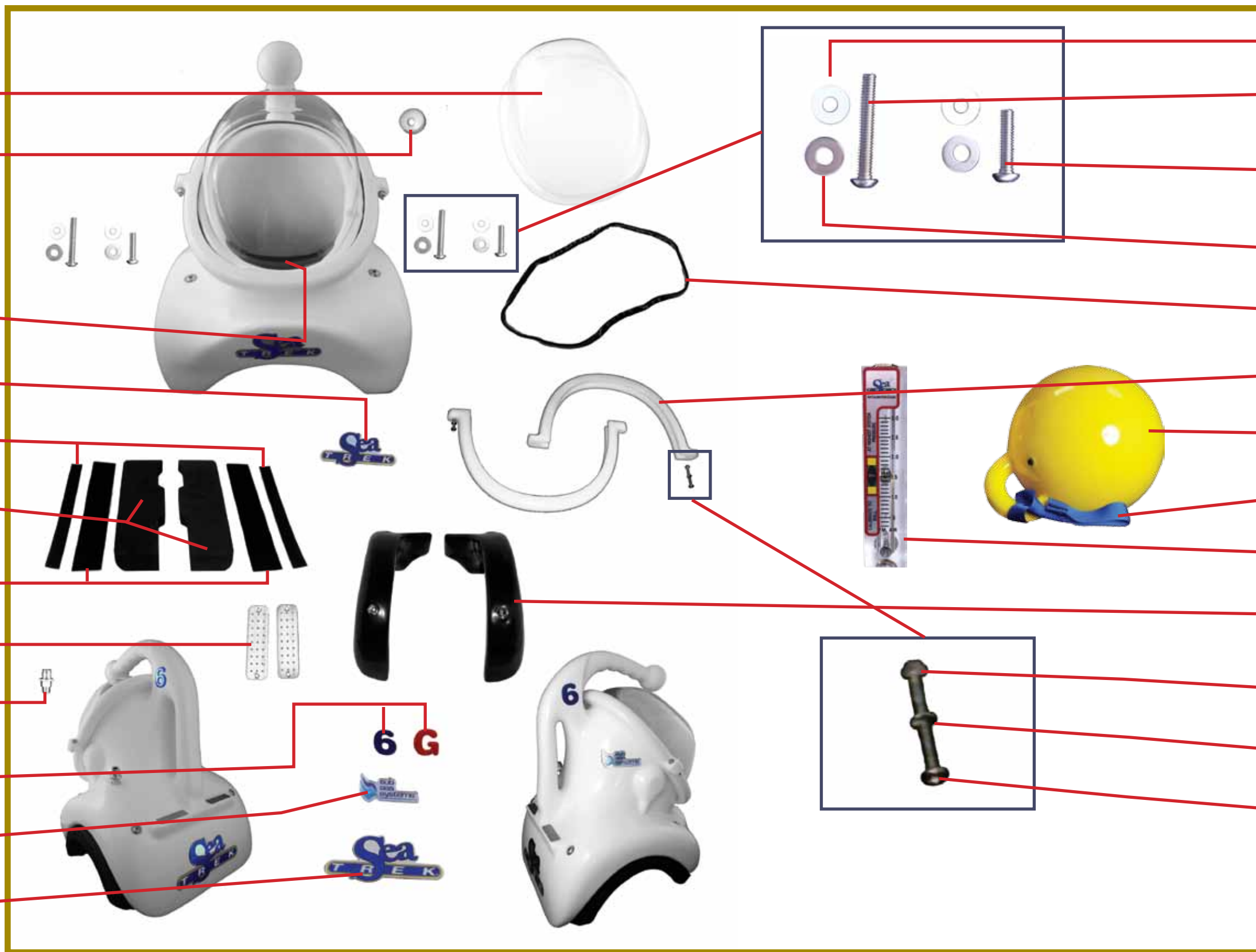
20-026
Exhaust Vent Cover Exterior

15-001
Quick Disconnect Socket
—Female

20-020
Helmet Number / Guide

16-000
Sub Sea Systems® Domecal

16-003
7" SeaTREK® Domecal



20-015d
Teflon Sealing Washer

20-015c
5/16"-18 x 1.5"
SHCS Button Head

20-015b
5/16"-18 x 1"
SHCS Button Head

20-015e
5/16" Washer 316ss

20-012
1/8" x 1/4" Visor Sealant

20-013
Nylon Helmet Clamp

20-021
Helmet Float

20-021b
Nylon Lanyard

50-010
Helmet Calibration Gauge

20-015
Pair of Shoulder Weights
(1 Left / 1 Right)

20-013-02
10-32 Nylock Nut

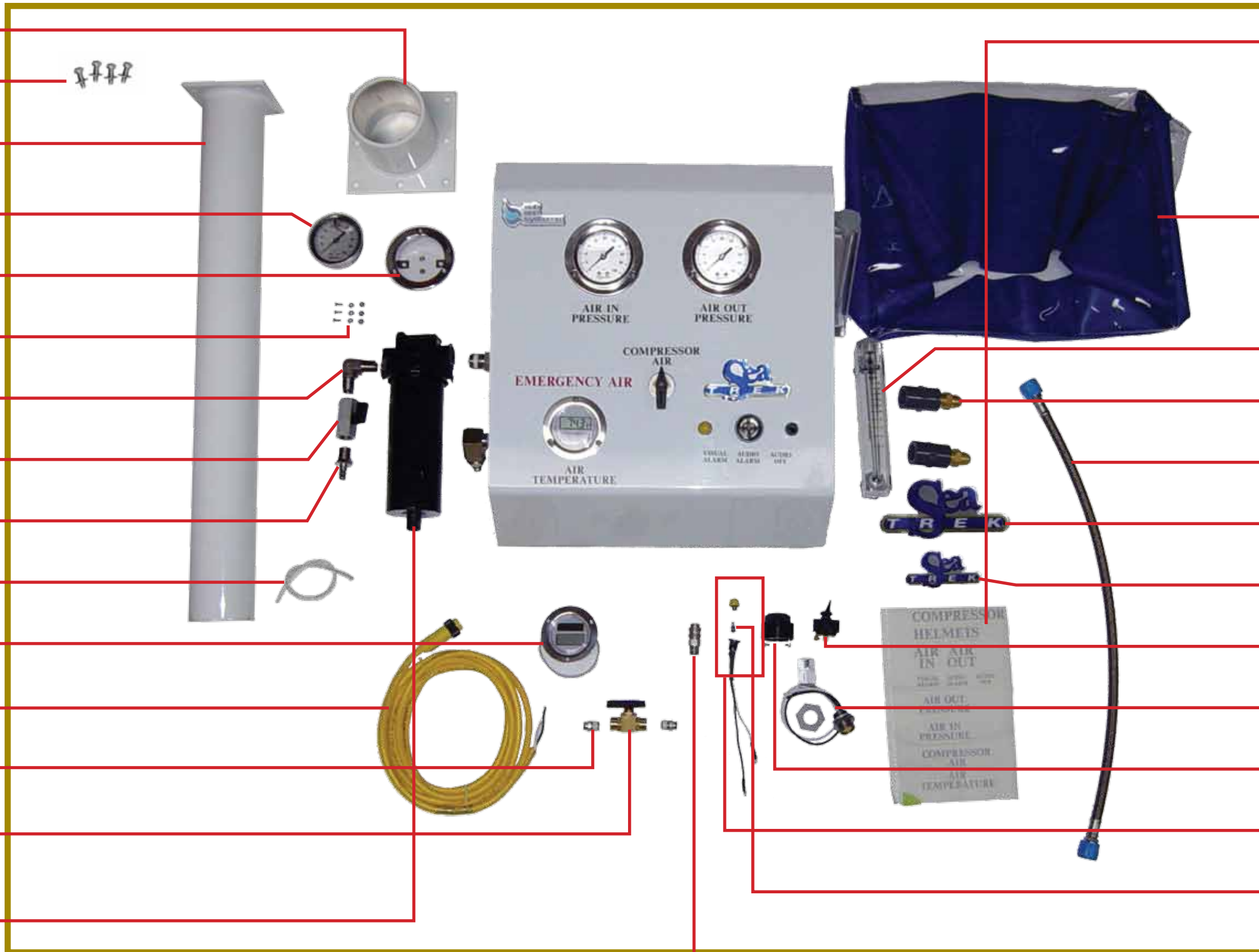
20-013-03
#10 Washers 316ss

20-013-01
10-32 316ss x 1 1/2" PH
Machine Screw

Remote Console

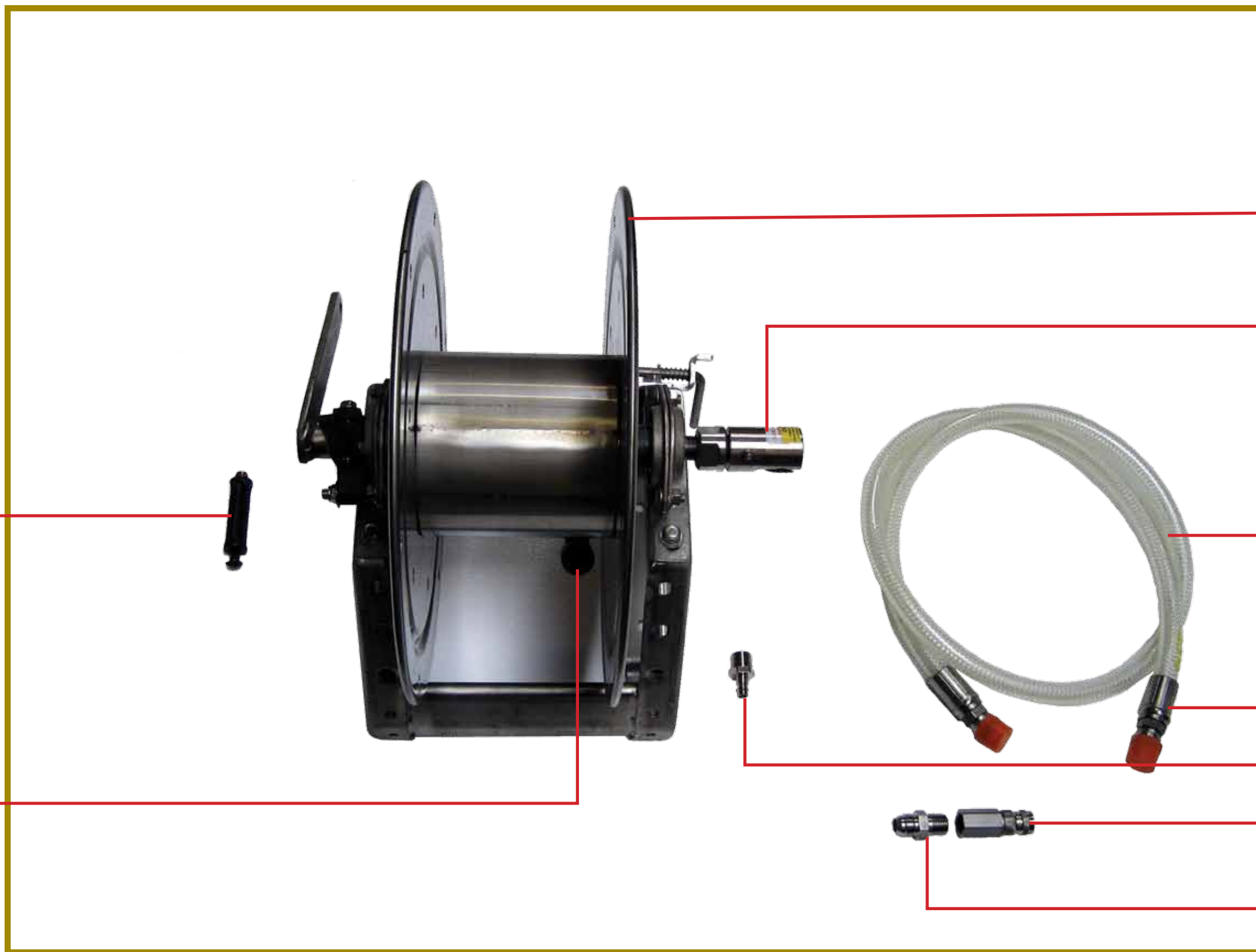
Assembly 30-000

- 30-004-01**
Aluminum Base
- 30-000-04**
5/16" -18 x 7/8" 316 ss HHCS
- 30-004**
Aluminum Console Support Tube
- 30-009**
Pressure Gauge 0-200psi (Ashcroft)
- 30-010**
Pressure Gauge Flange Kit
- 30-010a, b, c**
Screws / Nuts / Washers
- 30-011**
1/2" NPT x 1/2" NPT Male Elbow
- 10-405**
1/2" NPT Ball Valve
- 15-004**
1/2" NPT—Male x 3/8" QD—Male
- 15-018**
1/2" Quicktube Clear
- 30-018**
Solar Thermometer
- 30-005**
Electrical Connector Plug—Male
- 30-014**
1/4" NPT & 1/4" Instatube
- 30-008**
1/4" NPT 2-way Universal Valve
- 30-024**
High Volume Water Trap / Oversized In line Water Filter / Dryer



- 30-019**
Panel Vinyl Graphics-Set
- 30-023**
Urethane Console Cover
- 30-016**
Flowmeter
- 15-011**
1/2" NPT x #8 JIC
- 10-112**
26" ss Braided Hose
- 16-003**
7" SeaTREK® Domecal
- 16-002**
4" SeaTREK® Domecal
- 30-022**
Toggle Switch
- 30-006**
Electrical Connector Plug—Female
- 30-021**
Piezo Alarm
- 30-020**
Warning Light Yellow Assy
- 30-020b**
14 Volt Light Bulb
- 15-003**
1/2" NPT—Female x 3/8" QD—Female

Hose Reel Assembly 40-000



40-001b
Handle

15-011
1/2" NPT x #8 JIC

40-001
Hose Reel

40-002
1/2" NPT Stainless Steel Swivel

40-003 (60')
40-004 (6')
Hose Reel to Console
60' x 5/8" Hose
6' x 5/8" Hose

40-005
5/8 Swage Fittings

15-004
1/2" NPT Male x 3/8" Male QD

15-003
1/2" NPT Female x 3/8" Female QD

15-012
1/2" NPT x #10JIC

15-Helmet Floating Manifold*

Assembly 50-000b

50-200a
1/4"-20 x 2-1/2" 316ss Bolt
1/4" Washer & 1/4"-20 Nylock Nut

50-206
Lift Handle with Logo Plate

15-004
1/2" NPT Male x 3/8" Male QD

40-002
1/2" NPT ss Swivel

50-100
Throughhull Assembly

50-001c
High Density Foam Float Mount (3 per set)

50-012
Diver Down Vinyl Decal

10-112
26" ss Braided Air Line

50-204
3 Port Aluminum Manifold for Distributing Air on Floating Manifold

50-501
Rubber Protection Bumper

50-009
Vinyl Lettering Domecal

50-205
14" ss Hose for Air Distribution to Manifold

15-010
318 x #8 JIC Fitting

50-202
316 ss 318 NPT Plug

50-005c
Knurled Knob for Needle Valve

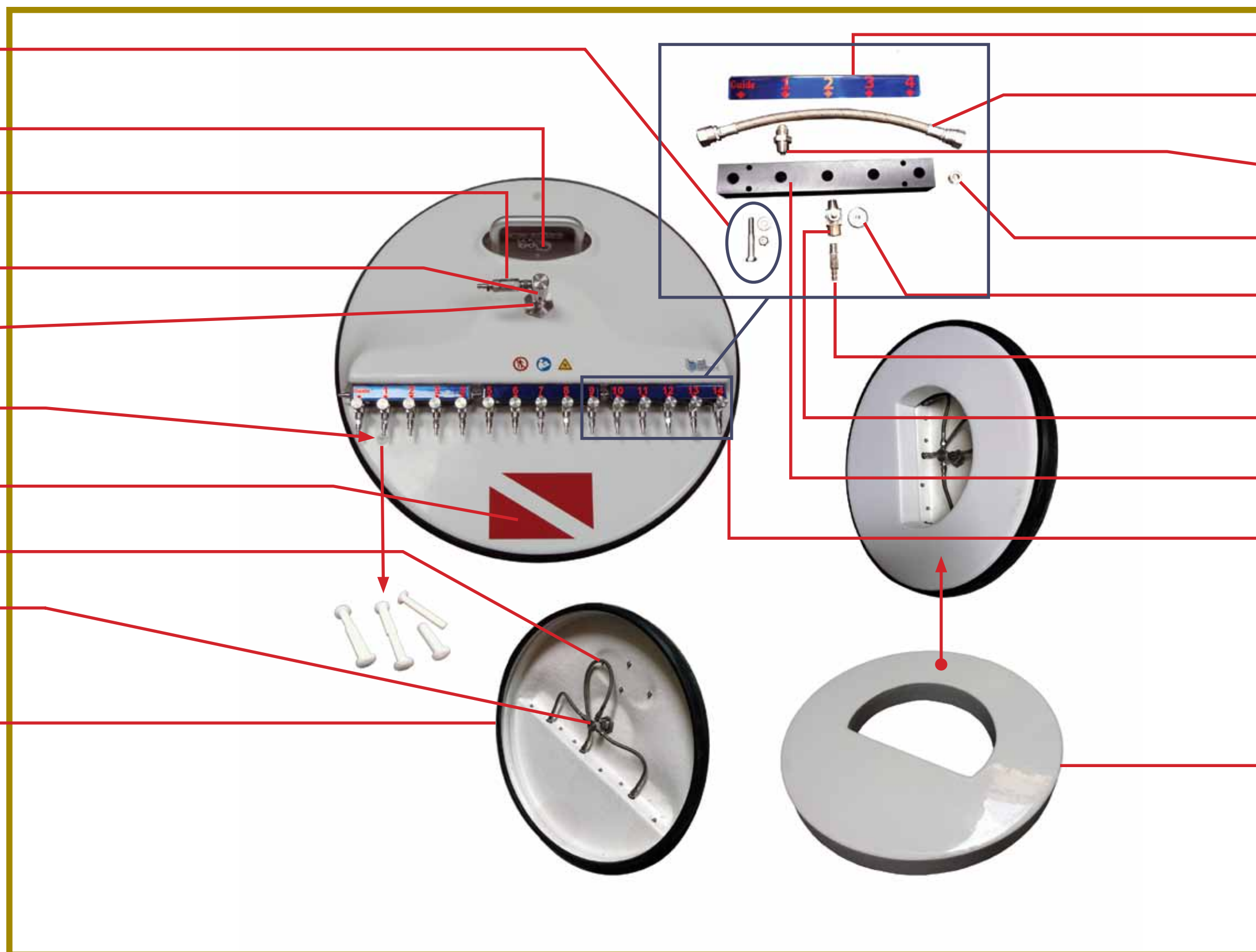
15-002
QD Plug—Male

50-005ss
316 ss Needle Valve

50-201
5 Port Floating Manifold

50-200
Complete 5 Port Manifold for Floating Manifold

50-001b
High Density Foam Float



*Also available—10-Helmet Floating Manifold

POD System

Assembly 80-000

80-004
Complete Flag Assembly

80-004-2
Flag Rod

80-004-3
SeaTREK® Flag

80-004-1
Flag Mount with Hardware

80-007
Tank Strap

80-007-1
Tank Strap Mount with Hardware

80-011
SeaTREK® Harness

14-427
27' Main Helmet Hose with Fittings

80-010
Tow Hose Lanyard

80-012
Hose Stop

80-013
POD Tow Leash

80-008
Aluminum POD Handle

80-001
SeaTREK® POD Shell

50-010
Helmet Calibration Gauge

10-607
24" LP Hose Reg. Manifold

10-605 / 10-606
Pressure Gauge / Boot

80-002-1
SeaTREK® POD regulator

10-602
PRV

10-609
QD Fitting Open Style—Male

10-603
6" HP Hose for Gauge

15-001
SeaTREK® 1/4" QC Socket / Dble

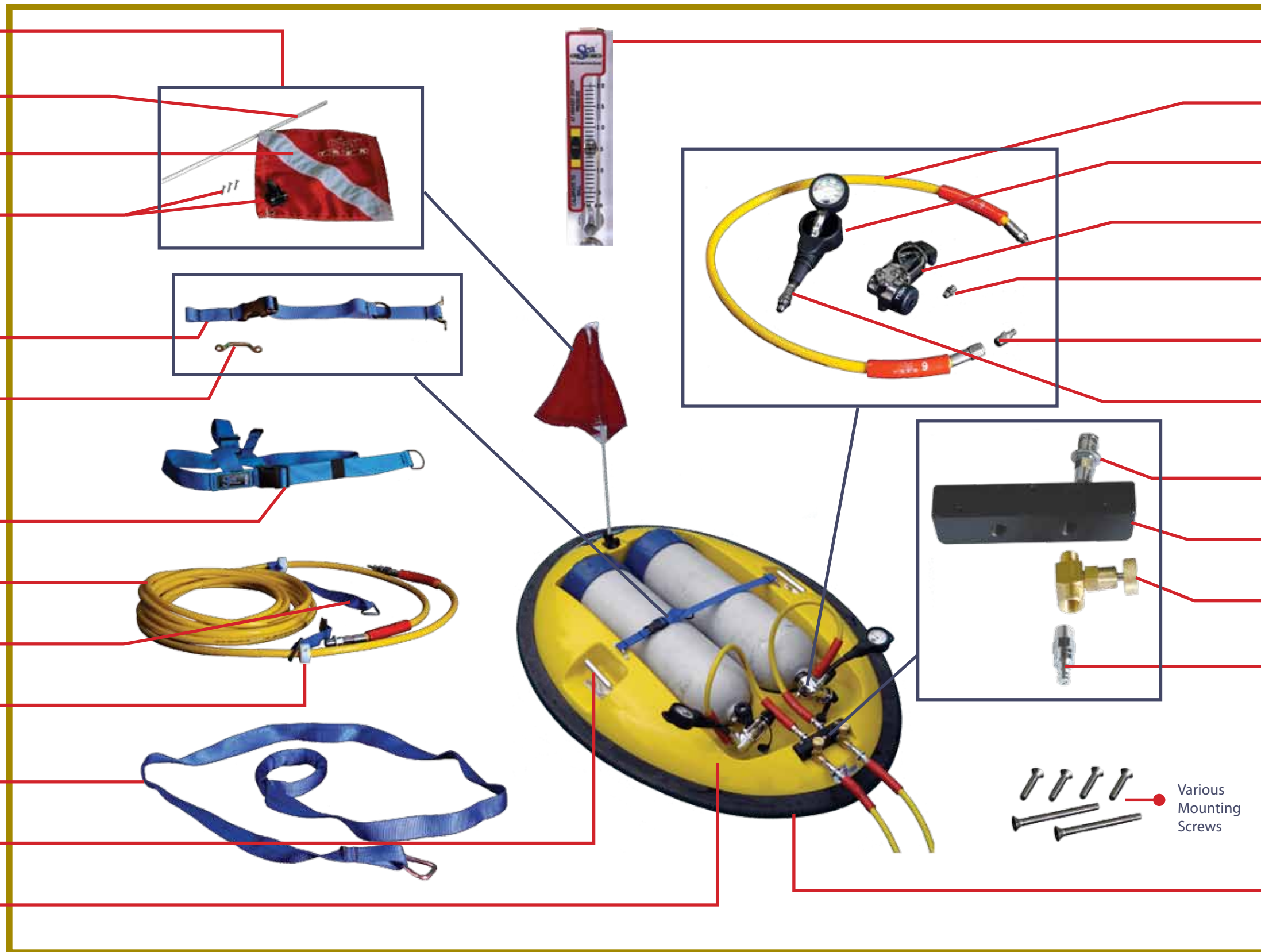
80-003
SeaTREK® POD Manifold—Custom

50-005
Calibration Valve

15-002
SeaTREK® 1/4" Double Shutoff QD

Various Mounting Screws

80-001-2
Rubber Bumper



Backpack Unit Assembly 70-001

70-002
Backpack S/C Unit

10-700
Low Pressure Hose Assembly

50-005
Needle Valve

10-609
Quick Disconnect Plug
—Male

10-601
1st Stage Regulator

10-602
PRV

10-603
6" High Pressure Hose

10-606
Pressure Gauge Boot

10-605
5000lb PSI Gauge

16-002
4" SeaTREK® Domecal

70-003
Shoulder Pad

70-004
Helmet Pad

70-005
Back Pad

70-006
Tank Strap

70-007
Handle with Hardware



Marketing Materials



SeaTREK® Pen
Part Number: 16-031

SeaTREK® Koozie
Can Cooler
Part Number: 16-051



SeaTREK® Window
Static Cling Decal
Part Number: 16-034



16-052
Mini Helmet Display (10 per pack)
Part Number: 16-015a



SeaTREK® Boulevard Banner 2'x6'
Part Number: 16-021



SeaTREK®
Temporary Tattoos (100 ct)
Part Number: 16-026



SeaTREK® Decal
Part Number: 16-052



Boulevard Banner Mount Kit
Part Number: 16-020



Counter Top Display—Acrylic
w/ Brochure Pocket
Part Number: 16-030



SeaTREK® Flag 4'x6'
Part Number: 16-011



SeaTREK® Rack Card Brochures
4" x 9" (1,000 per Box)
Part Number: 16-027



SeaTREK®
Long Sleeve Rash Guard:
page 34
Part# 16-042

SeaTREK® RASH GUARDS

Long & Short
Sleeves

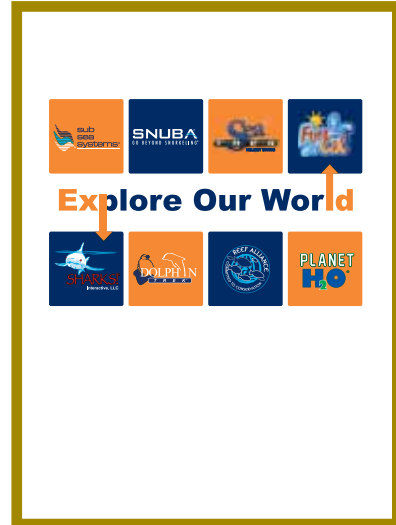
Men's & Women's

Assorted colors

Marketing Materials



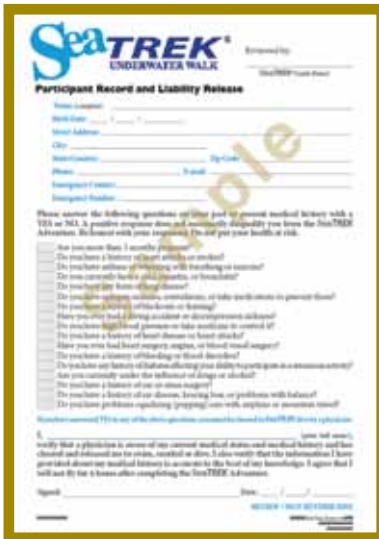
SeaTREK® Poster
Part Number: 16-012



Presentation Folders
Part Number: 16-016



SeaTREK® Certificates of Participation
200 per pack
Part Number: 16-013



SeaTREK® Statement
Liability Release Form
Part Number: 16-014



SeaTREK® Welcome Packet
Part Number: 16-029



SeaTREK® Operations Manual
Part Number: 16-019



8.5: x 11" Brochures
Part Number: 16-028



Orientation Poster Set
Part Number: 16-022



SeaTREK® AIR CENTER
Service Manual
Part Number: 16-050



SeaTREK®
Short Sleeve Rash Guard:
page 34
Part# 16-043

SeaTREK® RASH GUARDS

Long & Short
Sleeves

Men's & Women's

Assorted colors

Activewear



Men's Long Sleeve Rash Guard
Red, Black, Royal, Navy, Dark Grey
Sizes: S—XXXL
Part Number: 16-042

* Men's Rash Guards run small. *
It is recommended that you
order one size larger.

* Colors limited to what's in stock. *
Call to confirm: 530-626-0100



Men's Short Sleeve Rash Guard
Red, Black, Royal, Navy, Dark Grey
Sizes: S—XXXL
Part Number: 16-043



Women's SeaTREK® Wave T-shirt—
very soft, 100% cotton
Charcoal, Navy, Fuchsia, Purple, Lt. Green—
S, M, L, XL
Part Number: 16-041



Men's Board Shorts
Black, Khaki, Navy
Sizes: 30, 32, 34, 36, 38, 40, 42
Part Number: 16-044



SeaTREK® Women's Polo—Short Sleeve
Dark Green, Lt. Pink, Teal, Lavender,
Navy, White, Black, Red, Lt. Blue
Sizes: XS—XXL
Part Number: 16-017a



Men's SeaTREK® Wave T-shirt—Long Sleeve
Lt. Grey, Dark Grey, Navy, Lt. Blue
Part Number: 16-045



Men's SeaTREK® Wave T-shirt—
Short Sleeve
Navy, Dark Grey, Lt. Grey, Lt. Blue, Yellow,
Orange, Green
Sizes: S, M, L, XL
Part Number: 16-040



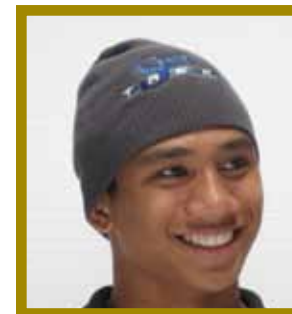
SeaTREK® Visor
Royal Blue Khaki, Red, Navy, Green
Part Number: 16-046



Reef Alliance T-shirt
White—S, M, L, XL
Part Number: 20-054



SeaTREK® Hat
Khaki, White, Black, Red, Green, Navy, Royal
Part Number: 16-047



SeaTREK® Beanie
Charcoal, Olive, Navy, Black
Part Number: 16-048



Men's SeaTREK® Fleece Sweater
Lt. Blue, Black, Olive—S, M, L, XL
Part Number: 16-049



SeaTREK® Embroidered Polo—
Short Sleeve
Various Colors—S, M, L, XL
Part Number: 16-017



Qty.	Item #	Item Description	NOTES
COMPLETE EP-1 "AIR CENTER" (post Dec. 2011)			
Maintenance Parts			
	1050	Filter Mat, Cooling Air	\$13.85
	1101	Filter Mat, Control Cabinet	\$3.87
	1200	Oil Filter	\$65.04
	1250	Air Filter Element	\$51.55
	1450	Oil Separator Cartridge	\$141.32
	1802	Drive Belt	\$52.87
	KCF25	Replacement Oil Remover Element	\$192.00
	KOX20	Fresh Air Vapor Remover Element	\$231.56
	KVF20	Fresh Air Particle Filter Element	\$174.17
Replacement Parts			
	4050	Airend	\$2,780.00
	4200	Crankshaft Pulley	\$157.43
	4450	Drive Motor	\$2,376.28
	4550	Drive Motor Pulley	\$221.90
	4600	Drive Motor Blower Wheel	\$120.48
	4655	Motor Cooling Airflow Guide	\$78.72
	5050	Cooler	\$551.91
	6100	Oil Level Indicator	\$87.47
COMPLETE "AIR DELIVERY SYSTEM" (prior to Dec. 2011)			
	10-000	Air Compressor Assembly	\$47,257.00
	10-100	Tank Assembly	\$750.00
	10-200	Compressor Pump Assembly	\$4,285.00
	10-300	Emergency Manifold	\$725.00
	10-400	Filter Assembly	\$670.50
	10-501	SeaTREK® Microprocessor Control	\$14,625.00

(ST01 Rev 11/12)

© 2012 SeaTREK®
All Rights Reserved
form ST0F-001

Qty.	Item #	Item Description	NOTES
TANK ASSEMBLY			
	10-100	60 Gallon Tank	\$750.00
	10-101	1/2-13x3xHHCS 316ss	\$4.56
	10-102	1/2" Washers 316ss (8 each)	\$1.00
	10-103	1/2" Rubber Isolator (8 each)	\$34.00
	10-104	Isolator Pads (4 each)	\$.75
	10-105	1/2-13 Nylock Nuts 316ss (4 each)	\$2.45
	10-107	1/4" Nickel Brass ST elbow	\$5.00
	10-108	1/4" Brass Tank Drain Valve	\$47.80
	10-109	3/8" Check Valve	\$92.00
	10-110	1/2" NPT Plug 3lb ss	\$6.49
	10-111	120lb Pressure Relief Valve	\$36.56
	10-112	SS Braided Air Line-26" with Fittings	\$118.89
	10-305	3/8" Nickel Brass ST elbow	\$9.00
	15-006	3/8" Hex Nipple 316ss	\$13.50
	15-010	3/8" NPT x #8 JIC 316ss Fitting	\$15.00
	15-016	3/8" MFF TEE 316ss	\$47.75
	16-003	7" SeaTREK® Domecal	\$26.00
COMPRESSOR PUMP ASSEMBLY			
	10-200	Compressor Pump Assembly	4,285.00
	10-201	SeaTREK® Vortex Compressor	4,285.00
	10-201AF	Intake Air Filter	\$19.00
	10-201FH	Air Filter Housing	\$21.00
	10-202	Rubber Shock Mounts	\$75.84
	10-203	5/16"-18 Nylock Nuts 316ss	\$1.50
	10-204	5/16" Flat Washers 316ss	\$.82
	10-205	Watts Allenaire Solenoid	\$87.75
	10-502B	L620L Male TWISTLOCK Plug	\$30.00
	10-503	12-3 Sow Electric Cord (ft.)	\$2.25
	10-506	3-8 Spiral Wrap (ft.)	\$11.00
	15-005	1/4" x 2" Hex Nipple	\$10.70

SeaTREK® Order Form

Qty.	Item #	Item Description	NOTES
EMERGENCY MANIFOLD ASSEMBLY			
	10-300	Emergency Manifold	\$725.00
	10-301	Machine 6 Port Manifold	\$66.89
	10-301B	Spacer Block	\$13.00
	10-301MS	Mounting Hardware (kit)	\$9.00
	10-302	1.5" Pressure Gauge 1/4" NPT	\$51.85
	10-304	Rectus Female	\$16.80
	10-305	3/8" NPTMF Elbow 316ss	\$9.00
	10-306	1/4" Brass Pressure Relief Valve	\$16.50
	10-307	Air Emergency Solenoid	\$204.18
	10-307B	Air Solenoid Plug w/ 16" Cable & Lugs	\$15.00
	10-308	Watson 3/8" Check Valve	\$60.80
	10-309	3/8" Pipe x 1/4" Quicktube	\$6.25
	15-006	3/8" Hex Nipple	\$13.50
	15-011	3/8" NPT x #8 JIC 316ss	\$15.00
	15-016	3/8" MFF NPT Tee 316ss	\$47.75
	15-017	3/8" x 1/8" Hex Bushing 316ss	\$10.00
FILTER ASSEMBLY			
	10-400	Filter Assembly	\$670.50
	10-113	3/8" x 1/2" ss Braided Air Line	\$101.70
	10-400B	Spacer Block	\$13.00
	10-400MS	6mm x 45mm HH CS Mounting Bolts	\$9.00
	10-400-1	Parker Body Connector	\$22.00
	10-401	Parker Standard Filter	\$130.00
	10-401FK	40 Mic Element	\$23.00
	10-401BK	Standard Bowl Kit (4 pieces)	\$57.78
	10-403	Parker Filter / Charcoal	\$195.30
	10-403FK	Charcoal Element	\$85.00
	10-404	Parker Autodrain	\$62.00
	10-405	1/2" Ball Valve	\$29.70
	15-004	Male QD Plug	\$27.63
	15-010	1/2" NPT x #8 JIC	\$15.00
	30-011	1/2" NPT x 1/2" NPT SS elbow	\$30.00

(ST01 Rev 11/12)

Qty.	Item #	Item Description	NOTES
CONTROL BOX			
	10-501	SeaTREK® Microprocessor Controller	\$14,625.00
	10-202	Rubber Shock Mounts	\$75.85
	10-310	1/4" Inline Filter	\$15.50
	10-311	1/4" Quick Tube T	\$7.00
	10-501A	6 Pin Plug	\$95.00
	10-501B	4 Pin Plug	\$91.00
	10-502a	L6-20c TWISTLOCK Plug—Female	\$30.00
	10-502b	L620L TWISTLOCK Plug—Male	\$30.00
	10-502c	L6-20 220 Volt Power Cord—Complete Assy	\$75.00
	10-503	12/3 Soow Electric Cord (ft.)—Cord Only	\$2.25
	10-504	LS-15 TWISTLOCK Complete Assy.—8'-120v	\$58.00
	10-504a	L5-15 TWISTLOCK Plug—Female	\$18.00
	10-504b	L515 TWISTLOCK Plug—Male	\$18.00
	10-504c	110 Volt Power Plug—Complete Assy	\$60.00
	10-505	14-3 Soow Electric Cord (ft.)—Cord Only	\$2.00
	10-506	3/8" Spiral Wrap (ft.)	\$11.00
	10-507	1/4" Spiral Wrap (ft.)	\$11.00
	10-508	6 Wire Terminal Block	\$7.25
	10-509	Terminal Block Cover	\$9.75
	10-510	3/4" Cable Hanger	\$6.70
	10-511	48" Track	\$36.00
	10-511ms	5/16"-18 x 2" FHP 316ss, 5/16" Washers 316ss	\$8.50
	10-512	Tank Clamps	\$22.50
	10-513	9" x 30" Reinforced Rubber Mat for Tanks	\$60.00
	10-514	20-6 Weather guard Wire (ft.)	\$2.10
	15-018	1/4" Quick Tube Clear	\$1.20
EMERGENCY 1st STAGE ASSEMBLY			
	10-600	Emergency 1st Stage Assembly	\$372.93
	10-600R	Rebuild Kit-Regulator Assy (Specify Regulator)	\$31.50
	10-601	1st Stage regulator (SPECIAL)	\$200.00
	10-602	Pressure Relief Valve	\$22.00
	10-603	6" High Pressure Hose	\$21.63

© 2012 SeaTREK®
All Rights Reserved
form ST0F-001

Qty.	Item #	Item Description	NOTES	Qty.	Item #	Item Description	NOTES
	10-605	5000lb Pressure Gauge	\$49.00		20-015e	5/16" Washer 316 ss	\$4.00
	10-606	Gauge Boot	\$20.00		20-016	Black Sharkliner	\$48.00
	10-607	24" LP hose	\$42.87		20-020	Helmet Number Domecal—"G", "0", "9"	\$2.00 ea.
	10-608	36" LP Hose	\$51.00		20-021	Helmet Float	\$98.95
	10-609	Rectus 1/4" Male	\$14.80		20-021b	Nylon Lanyard	\$18.50
	HELMET ASSEMBLY				20-024	Helmet Air Input Nozzle	\$14.00
	20-000	Helmet Assembly	\$17,049.00		20-025	Exhaust Vent Cover—Interior (per pair)	\$36.00
	14-430	30' Helmet Air Hose Assembly	\$209.00		20-026	Exhaust Vent Cover—Exterior	\$44.00
	14-445	45' Helmet Air Hose Assembly	\$240.00		50-010	Helmet Calibration Gauge	\$103.60
	14-460	60' Helmet Air Hose Assembly	\$270.00		REMOTE CONSOLE ASSEMBLY		
	14-480	80' Helmet Air Hose Assembly	\$300.00		30-000	Remote Console Assembly	\$8,367.00
	14-490	90' Helmet Air Hose Assembly	\$330.00		10-112	26" SS Braided hose	\$118.89
	14-4100	100' Helmet Air Hose Assembly	\$360.00		10-405	1/2" NPT Ball Valve	\$29.70
	15-001	Quick Disconnect (socket)—Female	\$18.50		15-003	1/2" NPT—Female x 3/8 QD—Female	\$168.00
	16-000	Sub Sea Systems® Domecal	\$7.00		15-004	1/2 NPT—Male x 3/8" QD—Male	\$27.63
	16-002	4" SeaTREK® Domecal	\$10.00		15-011	1/2" NPT x #8 JIC	\$15.00
	16-003	7" SeaTREK® Domecal	\$26.00		15-018	Quicktube (ft.)	\$1.20
	16-004	Helmet "Guide" Vinyl Logo	\$6.00		16-002	4" SeaTREK® Domecal	\$10.00
	20-dem	DEMO Helmet Assembly	\$2,500.00		16-003	7" SeaTREK® Domecal	\$26.00
	20-006	1 Set Shoulder Pads-2 per set—Adult	\$34.85		30-000-04	5/16"-18 x 7/8" 316ss Hex Bolt	\$5.50
	20-006b	2" x 14" Velcro Strip (loop)	\$16.25		30-004	Aluminum Console Support Tube	\$150.00
	20-007	2" x 14" Velcro Strip (hook)	\$16.25		30-004-01	Aluminum Base	\$75.00
	20-011	Clear Acrylic Visor	\$328.00		30-005	Electrical Connector Plug—Male	\$59.90
	20-012	1/8" x 1/4" Visor Sealant (per roll)	\$76.00		30-006	Electrical Connector Plug—Female	\$52.65
	20-012-1	Rubber Lens Gasket Style	\$44.50		30-008	1/4" NPT 2-way Universal Valve	\$54.57
	20-013	Nylon Helmet Clamp	\$275.00		30-009	Pressure Gauge 0-200psi (Ashcroft)	\$211.00
	20-013-01	10-24 316ss x 2 PH Machine Screw	\$1.25		30-010a	6-32 Machine Screws (set of 3)	\$4.50
	20-013-02	10-32 Nylock Nut	\$.50		30-010b	6-32 Locknuts (set of 3)	\$2.85
	20-013-03	#10 Washers 316ss	\$2.00		30-010c	#6 Washers (set of 3)	\$1.00
	20-015	Pair of Shoulder Weights (1 Left / 1 Right)	\$4,500.00		30-011	1/2" NPT x 1/2" NPT Elbow—Male	\$30.00
	20-015b	5/16"-18 x 1" SHCS Button Head	\$2.00		30-013	1/4 Quicktube Tee	\$7.00
	20-015c	5/16"-18 x 1.5" SHCS Button Head	\$3.00		30-014	1/4" NPT & 1/4" Instatube	\$3.99
	20-015d	Teflon Sealing Washer	\$2.50		30-016	Flowmeter	\$190.00

(ST01)Rev 11/12)

© 2012 SeaTREK®
All Rights Reserved
form ST0F-001

SeaTREK® Order Form

Qty.	Item #	Item Description	NOTES	Qty.	Item #	Item Description	NOTES
	30-018	Solar Thermometer	\$106.00		50-012	Dive Down Vinyl Decal	\$20.00
	30-019	Panel Vinyl Graphics-Set	\$30.00		50-100	Throughhull Assembly	\$185.00
	30-020	Warning Light Yellow Assy	\$38.46		50-200	Complete 5 Port Manifold for Floating Manifold	\$427.45
	30-020b	14 Volt Light Bulb	\$3.50		50-200a	1/4"-20 x 2-1/2" 316 ss Bolt 1/4" Washer & 1/4-20 Nylock Nut	\$7.75
	30-021	Piezzo Alarm	\$27.88		50-201	5 Port Delrin Manifold	\$85.00
	30-022	Toggle Switch	\$37.47		50-202	316 ss 318 NPT Plug	\$5.85
	30-023	Urethane Console Cover	\$165.00		50-205	14" ss Hose for Air Distribution to Manifold	\$105.70
	30-024	High Volume Water Trap / Oversized In-Line Water Filter/Dryer	\$304.00		50-206	Lift Handle with Logo Plate	\$135.00
	HOSE REEL ASSEMBLY				50-501	Rubber Protection Bumper	\$299.00
	40-000	Hose Reel Assembly	\$2,680.00		51-000	Hose Organizer	\$275.00
	15-003	1/2" NPT—Female x 3/8" QD—Female	\$168.00		POD SYSTEM ASSEMBLY		
	15-004	1/2" NPT—Male x 3/8" QD—Male	\$27.63		80-000	POD System Assembly	\$3,985.00
	15-011	1/2" NPT x #8 JIC	\$15.00		10-602	OPRV	\$22.00
	15-012	1/2" NPT x #10 JIC	\$14.80		10-603	6" HP Hose for Gauge	\$21.63
	16-002	4" SeaTREK® Domecal	\$10.00		10-605 /	Pressure Gauge	\$49.00
	40-001	Hose Reel	\$897.50		10-606	Boot	\$20.00
	40-001b	Handle	\$18.00		10-607	24" LP Hose Reg. Manifold	\$42.87
	40-002	1/2 NPT Stainless Steel Swivel	\$287.50		10-609	QD Fitting Open Style—Male	\$14.80
	40-003	60' x 5/8" Hose to Reel to Console	\$575.16		14-427	27' Main Helmet Hose with Fittings	\$209.00
	40-004	6' x 5/8 Hose to Reel to Console	\$384.22		15-001	SeaTREK® 1/4" QC Socket / Dble	\$18.50
	40-005	5/8" Swange Fittings	\$134.00		15-002	SeaTREK® 1/4" Dble Shutoff QD	\$18.38
	15-PORT FLOATING MANIFOLD				50-005	ss Calibration Valve 316ss	\$96.71
	50-000b	15 Port Floating Manifold Assy (2000) Model	\$6,550.00		50-010	Helmet Calibration Gauge	\$103.60
	10-112	26" ss Braided Air Line	\$118.89		80-001	SeaTREK® POD Shell	\$2,716.15
	15-002	Quick Disconnect Plug—Male	\$18.38		80-001-2	Rubber Bumper	\$175.00
	15-004	1/2" NPT—Male x 3/8" QD—Male	\$27.63		80-002-1	SeaTREK® POD Regulator	\$372.93
	15-010	318 x #8 JIC Fitting	\$15.00		80-003	SeaTREK® POD Manifold-Custom	\$95.00
	40-002	1/2 NPT ss Swivel	\$287.50		80-004	Complete Flag Assembly	\$35.00
	50-001b	High Density Foam Float	\$950.00		80-004-02	Flag Rod	\$9.00
	50-001c	High Density Foam Float Mount (3 per set)	\$45.00		80-004-3	SeaTREK® Flag	\$14.00
	50-005c	Knurled Knob for Needle Valve	\$20.00		80-004-1	Flag Mount with hardware	\$13.50
	50-005ss	316 ss Needle Valve	\$96.71		80-007	Tank Strap	\$18.00
	50-009	Vinyl Lettering Domecals	\$40.00		80-007-1	Tank Strap Mount with Hardware	\$15.00

(ST01)Rev 11/12)

© 2012 SeaTREK®
All Rights Reserved
form ST0F-001

Qty.	Item #	Item Description	NOTES
	80-008	Aluminum POD Handle	\$85.00
	80-010	Tow Hose Lanyard	\$18.00
	80-011	SeaTREK® Harness	\$48.00
	80-012	Hose Stop	\$21.60
	80-013	POD Tow Leash	\$18.00
BACKPACK UNIT ASSEMBLY			
	70-001	Backpack S/C Unit	\$10,000.00
	70-002	Backpack Style Regulator	\$522.93
	10-601	1st Stage Regulator	\$200.00
	10-602	OPRV	\$22.00
	10-603	6" High Pressure Hose	\$21.63
	10-605	5000lb PSI Gauge	\$49.00
	10-606	Pressure Gauge Boot	\$14.00
	10-609	Quick Disconnect Plug—Male	\$14.80
	10-700	Low Pressure Hose Assembly	\$5.50
	16-002	4" SeaTREK® Domecal	\$10.00
	50-005-ss	Needle Valve	\$96.71
	70-003	Shoulder Pads (2)	\$38.45
	70-004	Helmet Pad	\$38.45
	70-005	Back Pad	\$74.00
	70-006	Tank Strap	\$29.50
	70-007	Handle with Hardware	\$29.50
OPTIONAL ITEMS			
	10-701	3/4" Primary Air Line (sold by the foot)	\$4.20
	10-702	Stainless Swedge Fitting (main air line hose)	\$219.50
	15-001	Quick Disconnect socket—Female	\$18.50
	15-002	Quick Disconnect plug—Male	\$18.38
	15-003	1/2" NPT—Female x 3/8 QD—Female	\$168.00
	15-004	1/2 NPT—Male x 3/8" QD—Male	\$27.63
	16-024	Pinatas PVC Fish Feeder	\$80.00
	30-024	High Volume Water Trap / Oversized In-Line Water Filter / Dryer	\$304.00
	30-024fk	ss Element for 30-024 Filter Dryer	\$65.00
	40-003	5/8" Hose for Hose Reel (with fittings) Assy	\$575.16
	51-001	52" Emergency "whip" 2nd Stage Hose Assy	\$185.00

(ST01 Rev 11/12)

© 2012 SeaTREK®
All Rights Reserved
form STOF-001

Qty. Item # Item Description NOTES

PROMOTIONAL MATERIALS

	16-011	SeaTREK® Flag 4' x 6'	\$98.00
	16-012	SeaTREK® Posters	\$2.50 ea.
	16-013	SeaTREK® Certs of Participation (pack of 200)	\$18.50
	16-014	SeaTREK® Statement (Liability Release Forms)	\$14.00
	16-015	Mini SeaTREK® Helmet	\$184.00
	16-015a	Mini SeaTREK® Helmet Display	\$256.00
	16-016	Presentation Folders (pack of 10)	\$11.50
	16-017	SeaTREK® Embroidered Polo—Short Sleeve	\$32.95
	16-017a	SeaTREK® Women's Polo—Short Sleeve	\$29.95
	16-019	SeaTREK® Operations Manual	\$98.00
	16-020	Blyd. Banner Mount Kit	\$59.00
	16-021	SeaTREK® Boulevard Banner 2' x 6'	\$98.00
	16-022	Orientation Poster-set of 3	\$158.40
	16-026	Trekker Tattoos (pack of 100)	\$19.00
	16-027	Rack Card Brochures 4" x 9" (case of 1,000)	\$80.00
	16-028	8.5" x 11" Brochures—digital	no charge
	16-029	SeaTREK® Welcome Packet—digital	no charge
	16-030	Counter Top Display—Acrylic w/ Brochure Pocket	\$35.00
	16-031	SeaTREK® Pen	\$ 0.75
	16-034	SeaTREK® Window Static Cling Decal	\$ 1.50
	16-040	Men's Wave T-shirt	\$11.95
	16-041	Women's Wave T-shirt	\$15.00
	16-042	Men's Rash Guard—Long Sleeve	\$23.95
	16-043	Men's Rash Guard—Short Sleeve	\$20.95
	16-044	Men's Board Shorts	\$28.75
	16-045	Men's SeaTREK® Wave T-shirt—Long Sleeve	\$16.25
	16-046	SeaTREK® Visor	\$12.00
	16-047	SeaTREK® Hat	\$15.00
	16-048	SeaTREK® Beanie	\$10.00
	16-049	Men's SeaTREK® Fleece Sweater	\$43.25
	20-054	Reef Alliance T-shirt—Short Sleeve	\$11.50

